



TP Orthodontics, Inc.

[tportho.com](http://tportho.com)

[cosmeticbraces.com](http://cosmeticbraces.com)

# INSTRUMENTS

# INSTRUMENTS

## Chairside

- Straight Shooter® Ligature Applicator
- M-D Reducer
- Bonding Forceps
- Bracket Placing Forceps
- Debonding Burs

## Pliers

- Crimpable Hook Placement
  - Power Crimping Pliers
- Light Wire without Grooves
- Light Wire with Three Grooves
- Safety Distal End Cutter
- Standard Ligature Cutter
- Posterior Band Removing
- Weingart
- Arch Contouring—Smooth
- Sep-A-Rings® Placement

## Instruments

- Mosquito Hemostat
- Mathieu Style Tying and Elastomeric Pliers

## Instrument Shield

# Straight Shooter® Ligature Applicator

- Safe, convenient, hygienic means of applying elastomeric ligatures to edgewise brackets.
- Eliminates soft tissue damage.
- Two sizes are available. – mini bracket shooter is for mini and single-wing brackets; twin bracket shooter is for standard, twin-size brackets.
- High performance, thermoplastic material is very strong and can withstand autoclaving and heat sterilization.



## Straight Shooter Ligature Applicator

**100-357** Twin Bracket Straight Shooter

**100-359** Mini Bracket Straight Shooter

## Replacement Materials

**100-363** Mini Bracket Plunger Kit – plunger and 4 wire fingers

**100-365** Twin Bracket Plunger Kit – plunger and 4 wire fingers



# M-D Reducer

- Removes interproximal tooth mass from flat or curved surfaces.
- Use to produce additional intra-arch space, open points, recontour restorations or remove overhanging fillings.
- Available with frame and stainless steel cutter blades with a diamond coating.

**100-701** M-D Reducer Kit – Contains 1 anterior frame,  
5 fine and 5 coarse blades – double-sided only



## Replacement Materials

**100-700** Frame

**100-703** Fine Blades – double-sided, 10

**100-704** Coarse Blades – double-sided, 10

**100-705** Fine Blades – single-sided, 10

**100-706** Coarse Blades – single-sided, 10

## Bonding Forceps

- Self-locking forceps with thin tips grasp brackets securely.

**100-157** Bonding Forceps



## Bracket Placing Forceps

- Slim, curved tips permit excellent field of vision.
- Simplify placement of steel ligatures and elastomerics.

**100-136** Bracket Placing Forceps



## Debonding Burs

- Tapered dome carbide burs with 1.2mm (.047") diameter.
- Remove excess adhesive after debonding.
- Friction grip and latch lock shanks are compatible with contra-angle handpieces.
- The 100-119 bur is used with a straight handpiece.

**100-119** Straight Handpiece Debonding Bur

**100-121** Contra-Angle Handpiece, Friction Grip Bur

**100-122** Contra-Angle Handpiece, Latch Lock Bur  
Package of 1



## Crimpable Hook Placement Pliers

- Feature a V-notch in the beak that greatly assists holding and compressing our small crimpable hooks.

**100-172** Crimpable Hook Placement Pliers



## Power Crimping Pliers

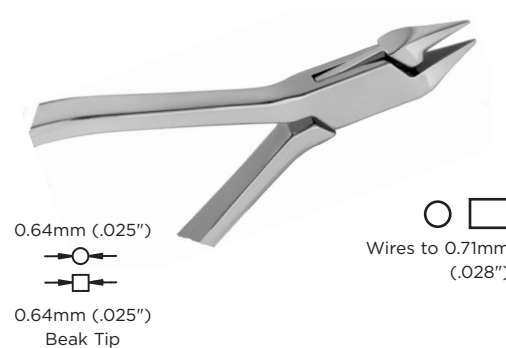
- Power handles make it easier to provide more force when placing TPO® crimpable hooks and ribbed crimpable hooks onto archwires.

**100-192** Power Crimping Pliers

## Light Wire Pliers without Grooves

- Smooth-tipped pliers bend archwires from 0.30mm (.012") to 0.71mm (.028").
- Flat "anvil" area ahead of box joint hinge permits wire straightening and increases grip on wire.

**100-130P** Light Wire Pliers without Grooves



## Light Wire Pliers with Three Grooves

- Features three grooves at the tip with a loop closing groove at the base of the beak.
- Bends round, square and rectangular wires up to 0.020".

**100-125** Light Wire Pliers with Three Grooves



## Safety Distal End Cutter Pliers

- Shear cut archwires and securely hold distal end of wire.
- Pliers cut within 0.5mm (.0197") of buccal tube.

**100-138P** Safety Distal End Cutter Pliers



## Standard Ligature Cutter Pliers

- Effective for all soft wires, pins and elastics up to 0.30mm (.012").

**100-140P** Standard Ligature Cutter Pliers



## Posterior Band Removing Pliers

- Stainless steel with medium length jaw and inserted tip.

**100-141P** Posterior Band Removing Pliers

**100-161** Replacement Tip



## Weingart Pliers

- Most popular utility pliers with long-wearing tips.

**100-149P** Weingart Pliers



## Arch Contouring Pliers – Smooth

- Create proper contour in anterior segment of archwire.
- Degree of curve can be varied by regulating position of wire in beaks.

**100-128** Arch Contouring Pliers – Smooth



Wires to 0.56mm  
(.022")

## Sep-A-Rings® Placing Pliers

- Limit excessive expansion which could cause rings to break.
- Rounded beaks protect patient and positively hold rings during placement.
- Use with large or small Sep-A-Rings.

**100-135** Sep-A-Rings Placing Pliers



## Mosquito Hemostat Straight Tip

- Straight 11.4 cm (4.5") thin tip is serrated to provide tight grip for ligating elastomeric ligatures.
- Click-lock handles.

**100-132** Mosquito Hemostat



## Mathieu Style Tying and Elastomeric Pliers

- Stainless steel pliers.
- With and without carbide inserted tips and self-locking handles.

**100-146** Tying and Elastomeric Pliers with Tip Insert

**100-185** Tying and Elastomeric Pliers without Tip Insert



## Instrument Shield

- Use prior to heat sterilization to lubricate and protect instruments.
- Dissolves organic debris build-up in plier box joints.
- Helps extend life of instruments when used after every cleaning.

**100-879** Instrument Shield, .95 L (1 quart)

